

WASHINGTON METROPOLITAN AREA TRANSIT AUTHORITY

SOLICITATION, OFFER AND AWARD

CONTINUATION SHEET

THE UNDERSIGNED ACKNOWLEDGES RECEIPT OF THE FOLLOWING AMENDMENTS

TO SOLICITATION **RFP CQ15098**

Amendment Number <u> A001 </u>	Dated <u> 12/5/14 </u>
Amendment Number <u> A002 </u>	Dated <u> 12/19/14 </u>
Amendment Number <u> </u>	Dated <u> </u>
Amendment Number <u> </u>	Dated <u> </u>
Amendment Number <u> </u>	Dated <u> </u>
Amendment Number <u> </u>	Dated <u> </u>

Failure to acknowledge receipt of all amendments may render the offer unacceptable.

Authorized Signature

Company Name

Date

WMATA (Kit) Stock No. 921-49-0004 (Rev. A)

(Dana Center / Rear Axle Brake Rebuild Kit)

(Center Axle Model #260AX101 (HN00854600); Drive Axle Model #260AF205 (HN00900399))

Dana / OEM Parts as listed (or) WMATA BENG Approved Equal.

Kit originally created as Axle Tech International (ATI) #T-BK-X821BWM.

Item	Description	Qty.	Bendix/Dana No.	ATI No.
1	Roller	4	165WJ104	T-401WJ
2	Pin, Anchor	4	165WJ105	T-501WJ
3	Spring, Return	2	150WJ115	T-731WJ
4	Washer, Anchor Pin	4	807928	T-4309
5	Snap Ring, Anchor Pin	8	807929	T-1482
6	Washer, Slack Adj. Spacer (Meritor)	8	1229J3130	122951070E
7	Washer, Inner Slack Adjuster	2	43943	T-4302
8	Seal, Cam	4	79903	TD-A2168
9	Lock Ring	2	975679	T-1582
10	Camshaft Bushing (Meritor)	4	1225R512	122501041E
11	Fitting, Grease	4	81970	1199N1860
12	Bolt, Clip	4	810392	T-0641B
13	Anchor Pin Bushing (Meritor)	4	1225U827	122501033E
14	Bushing Assembly, LH	1	976506	TD-605679N
15	Bushing Assembly, RH	1	976507	TD-705679N
16	Washer, Cam, Special	2	35428	R627005
17	Lock Ring, Small	2	804017	TD-710408



WMATA (Kit) Stock No. 921-49-0008 (Rev. B)

(Dana Front Axle Brake Rebuild Kit, Dana Steer Axle Model No. 11015376 (42883))

Dana / OEM Parts as listed (or) WMATA BENG Approved Equal
Kit originally created as Truck Trailer Transit (TTT) #T-DK-WMATAF.

Item	Page	Description	Qty.	Bendix/Dana No.	TTT No.
1	13	Seal, Oil	2	129863	T-A370048
3	10	Pin, Anchor	4	165WJ105	T-501WJ
4	10	Washer, Anchor Pin	8	807928	T-4309
5	10	Snap Ring, Anchor Pin	8	807929	T-1482
6	10	Roller	4	165WJ104	T-401WJ
8	10	Bolt, Anchor Pin	8	810392	T-0641B
9	10	Bushing, Anchor Pin	4	809069	T-2217
10	13	Gasket (Spicer / Eaton No.)	2	HG100	T-597354
17	10	Washer, Camshaft	2	806380	TD-63788
18	10	Spring, Return	2	915717N	T-N717519
24	10	Seal, Grease, Camshaft	4	79903	T-2304
25	10	Bushing, Nylon	2	1000035	T-0873
25	10	Bushing, Bronze	2	1003000	T-0215
28	10	Fitting, Grease	6	819790	T-0681
30	10	Washer, Inner Slack Adjuster	2	43943	T-4302
32	10	Washer, Camshaft Shim .060"	2	35428	T-82435 (2-1.140.060S)
33	10	Washer, Camshaft Shim .030"	2	23570	T-075323 (2-1.140.030S)
34	10	Snap Ring, Camshaft	2	804017	TD-2279B

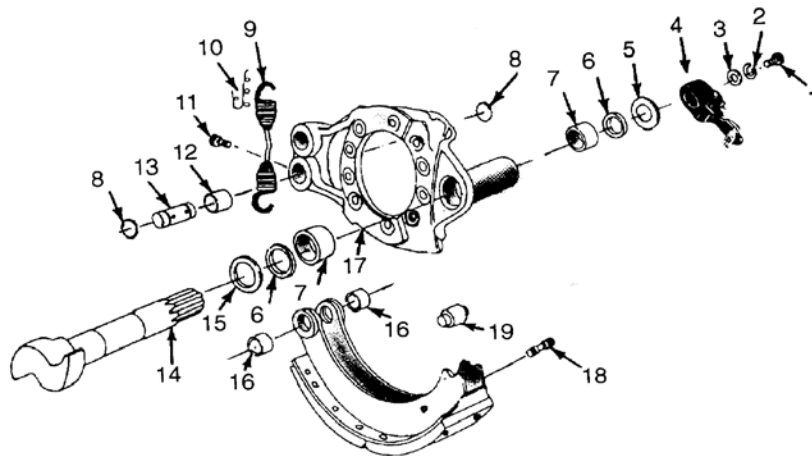


WMATA (Kit) Stock No. 921-55-0001 (Rev. A)

(Meritor Rear Axle Brake Rebuild Kit, Meritor Drive Axle Model Nos. 61142 & 61143)

Meritor / OEM Parts as listed (or) WMATA BENG Approved Equal
Kit originally created as Truck Trailer Transit (TTT) #T-DK-WMATA01.

Description	Qty.	Meritor No.	TTT No.
Roller, Smooth	4	1779-L-116	T-0611L
Anchor Pin Kit	4	MPS-961	T-BK-0169
Anchor Pin Bushing	4	1225-X-440	T-044X
Camshaft Bushing	4	1225-R-512	T-0215
Camshaft Seal	4	A-1205-V-1556	T-6551
Return Spring	2	2258-J-400	T-004HD
Snap Ring, Camshaft	2	WA-16	T-61AW
Lockwire, 12"	2	LW-166	T-661WL
Gasket	2	2208-M-403	T-0304
Grease Fitting	4	1199-N-1860	T-0681
Outer Seal Kit	2	National 5313	T-3135
Inner Seal	2	National 455091	T-455091
Oil Seal Wiper	2	1244-Q-1473	T-3741
Camshaft Washer, .031"	4	1229-Q-771	T-4301
Camshaft Washer, .062"	4	1229-S-747	T-747S
Camshaft Washer, .063"	4	1229-S-435	T-0534
Washer, Camshaft	2	1229-T-1164	T-4611
Capscrew	2	S-289-2	T-2982
Snap Ring	2	1229-Z-1118	T80511

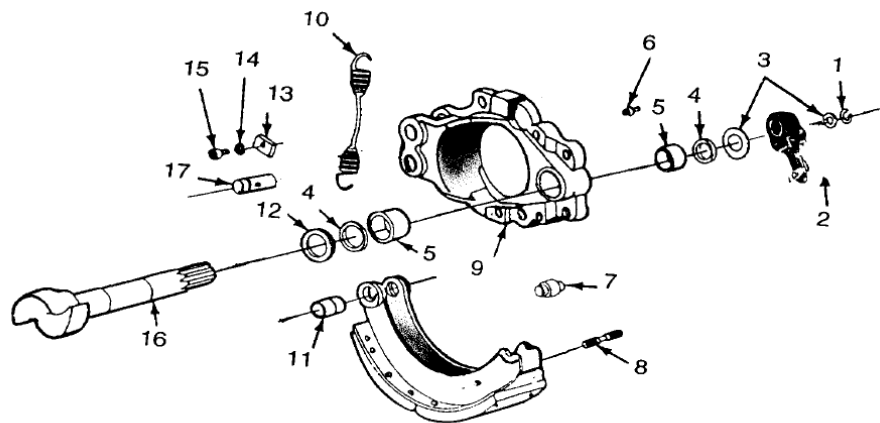


WMATA (Kit) Stock No. 921-55-0002 (Rev. B)

(Meritor Front Axle Brake Rebuild Kit, Meritor Steer Axle Model No. 17101)

Meritor / OEM Parts as listed (or) WMATA BENG Approved Equal
Kit originally created as Truck Trailer Transit (TTT) #T-BK-WMATA02.

Description	Qty.	Meritor No.	TTT No.
Roller - Smooth	4	1779-J-114	T-0411J
Anchor Pin, Front	4	1259-X-76	T-0067
Return Spring	4	2258-K-401	T-0104
Camshaft Bushing	4	1225-R-512	T-0215
Camshaft Seal	4	A-1205-V-1556	T-6551
Lock Ring - Camshaft	2	1229-Q-2851	T-1582
Capscrew, Anchor Pin	2	S-257	T-0752
Lock Washer	2	WA-15	T-0041
Lock	2	1229-D-108	T-0801
Grease Fitting	4	1199-N-1860	T-0681
Seal Hub	2	National 417507	T-417507
Gasket	2	2208-Z-390	T-0093
Camshaft Washer, .031"	4	1229-Q-771	T-4301
Camshaft Washer, .054"	2	1229-X-2936	T-6392
Camshaft Washer, .062"	2	1229-S-747	T-747S
Camshaft Washer, .104"	4	1229-S-2697	T-4322



WMATA (Kit) Stock No. 921-57-0050 (Rev. A)

(Meritor Rear Axle Brake Seal Kit, Meritor Drive Axle Model No. RC27720)

Meritor / OEM Parts as listed (or) WMATA BENG Approved Equal
Kit originally created as Truck Trailer Transit (TTT) #T-BK-WMLFSKR.

Description	Qty.	Meritor No.	TTT No.
Seal, Oil (Chicago Rawhide)	2	CR 47692	T-29674
Gasket	2	2208-E-1123	T-3211

(No Diagram Supplied / Needed.)

WMATA (Kit) Stock No. 921-57-0051 (Rev. A)

(Meritor Front Axle Brake Seal Kit, Meritor Steer Axle Model No. FH946)

Meritor / OEM Parts as listed (or) WMATA BENG Approved Equal
Kit originally created as Truck Trailer Transit (TTT) #T-BK-WMLFSKF.

Description	Qty.	Meritor No.	TTT No.
Seal, Oil (Chicago Rawhide)	2	CR 43764	T-46734
Gasket	2	2208-Z-390	T-0093

(No Diagram Supplied / Needed.)

WMATA (Kit) Stock No. 921-58-0012 (Rev. A)

(Meritor Rear Axle Brake Rebuild Kit, Meritor Drive Axle Model No. 61153)

Meritor / OEM Parts as listed (or) WMATA BENG Approved Equal

Kit originally created as Truck Trailer Transit (TTT) #T-BK-WMATA03/T-BK-WMATA03VG.

Description	Qty.	Meritor No.	TTT No.
Seal, Camshaft	4	A-1205-V-1556	T-6551
Bushing, Camshaft	4	1225-R-512	T-0215
Anchor Pin Washer - Flat	4	1229-T-1554	T-4551
Lock Washer	4	1229-U-593	T-395U
Dowel	4	1246-L-350	T-053L
Roller - Smooth	4	1779-U-593	T-0395U
Anchor Pin	4	1259-P-198	T-891
Anchor Pin Washer - Flat	4	1229-G-1567	T-7651
Return Spring - Heavy Duty	2	2258-J-400	T-004HD
Axle, Seal Kit	2	National 5313	T-3135
Axle, Seal	2	National 455091	T-455091
Washer, .063" Thick	2	1229-S-435	T-0534
Washer, .031" Thick	2	1229-Q-771	T-4301
Oil Seal Wiper	2	1244-Q-1473	T-3741
Nut-Anchor Pin	4	N-112-1	T-1211N
Nut-Anchor Pin	4	N-114-1	T-1411N
Washer, .094"	4	1229-E-1565	T-5651
Strap- Anchor	2	1245-E-161	T-0161
Gasket-Hub	2	2208-M-403	T-0304
Cap Screw- Camshaft	2	S 298 2	T2982S
Flat Washer - Camshaft	2	1229-T-1164	T4611
Lock Washer - Camshaft	2	WA-18	T81AW
Grease Fitting	4	1199-N-1860	T-0681

